

### Receiver

### From

Society  
Reference  
Address  
Phone  
Fax  
E-mail

Item n° :

Model :

4 ESYBOX MAX 60/120 M

### Pump data

Pressure rating : 11,84 atm  
Constant pressure range : 0,986911,84 atm (2,961atm by default)  
Min. fluid temperature : 0 °C  
Max. fluid temperature : 50 °C  
Max. Ambient temperature : 55 °C

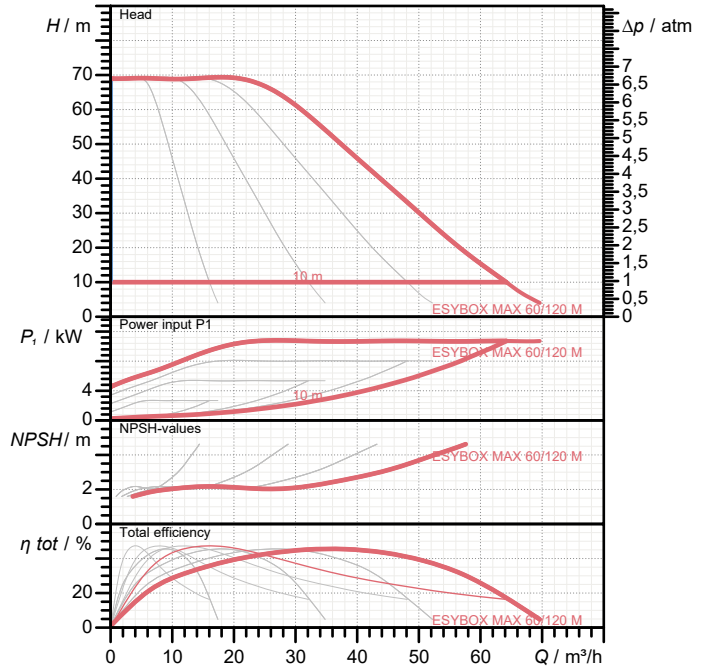
### Requested data

Flow :  
Head :  
Fluid : Water  
Fluid Temperature : 20 °C  
Density : 998,3 kg/m<sup>3</sup>  
Kinematic viscosity : 1,005 mm<sup>2</sup>/s  
Vapor pressure : 0,02 atm

### Materials

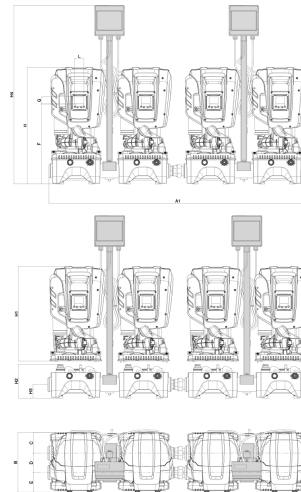
Fitting	Technopolymer PA66 30%GF
Manifold	Stainless Steel AISI 304
Flange	Technopolymer PA66 30%GF
Pump body	Technopolymer PA66 30%GF
Pump body ring	Technopolymer PP 30%GF
Impeller	Technopolymer PP 30%GF/AISI 304
Diffuser	Technopolymer PP 30%GF/AISI 304
Motor axis	Stainless Steel AISI 303
OR ring	EPDM
Motor flange	Technopolymer PA66 30%GF
Mechanical seal	Impregnated carbon-resin/Silicon carbide/EPDM
Motor liner	Stainless Steel AISI 304
Motor body	Technopolymer PA66 30%GF
Conveyor tube	Technopolymer PP 30%GF
Pressure sensor	Nylon/EPDM
Non-return valve	POM/EPDM/AISI 302
Non-return valve body	Technopolymer PA66 30%GF
Tank	Noryl/Rubber
Delivery body	Technopolymer PA66 30%GF
Outer liner	Stainless Steel AISI 304

### Curve tolerance according to ISO 9906



### Hydraulic data (duty point)

Flow :  
Head :



\*Without the pillar kit and panel, do not consider the H4

### Dimensions in mm

A1	1.692	E	127,7	H3	87
B	384	F	526	H4	1.172
C	131,8	G	45	L	59,5
D	124,5	H	766		
DNA	2"	H1	613		
DNM	2"	H2	228		

Weight : 156 kg

### Pump connection

Suction side : 2" G / 11,84 atm  
Discharge side : 2" G / 11,84 atm

### Motor data

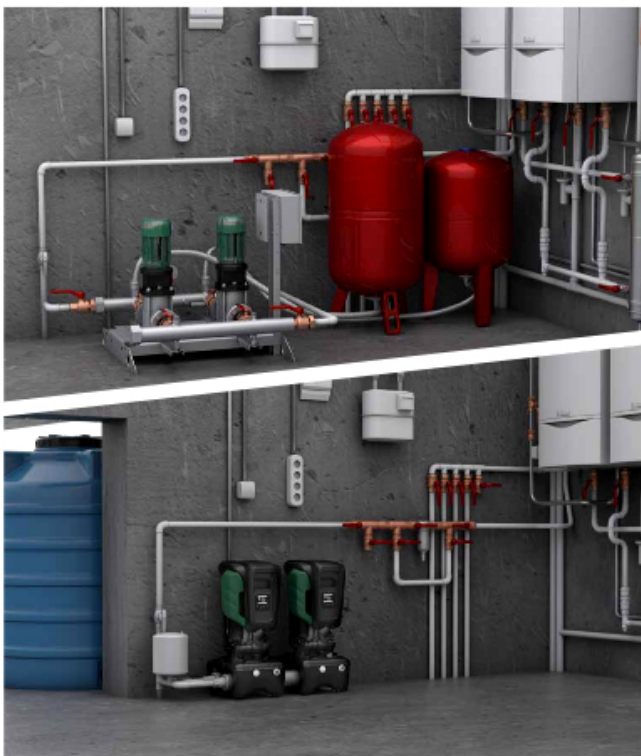
Power input P1 : 4 x 2,68 kW  
Maximum speed : 5.240 1/min  
Rated voltage : 1~ 208-240 V 50 Hz  
Nominal current : 4 x 11,7 A  
Degree of protection : IP X5

# ENERGY SAVING

BEFORE

AFTER

- 20%  
Compared with  
traditional inverter pump



**D+CONNECT**  
BUILT-IN



As quick as a "click"





# PERFORMANCE CURVES

2022-10-10

Page 3 / 4

DAB PUMPS S.p.A.  
Via Marco Polo, 14 - 35035 Mestrino (PD), Italy  
Tel. +39 049 5125000 - Fax +39 049 5125950  
www.dabpumps.com

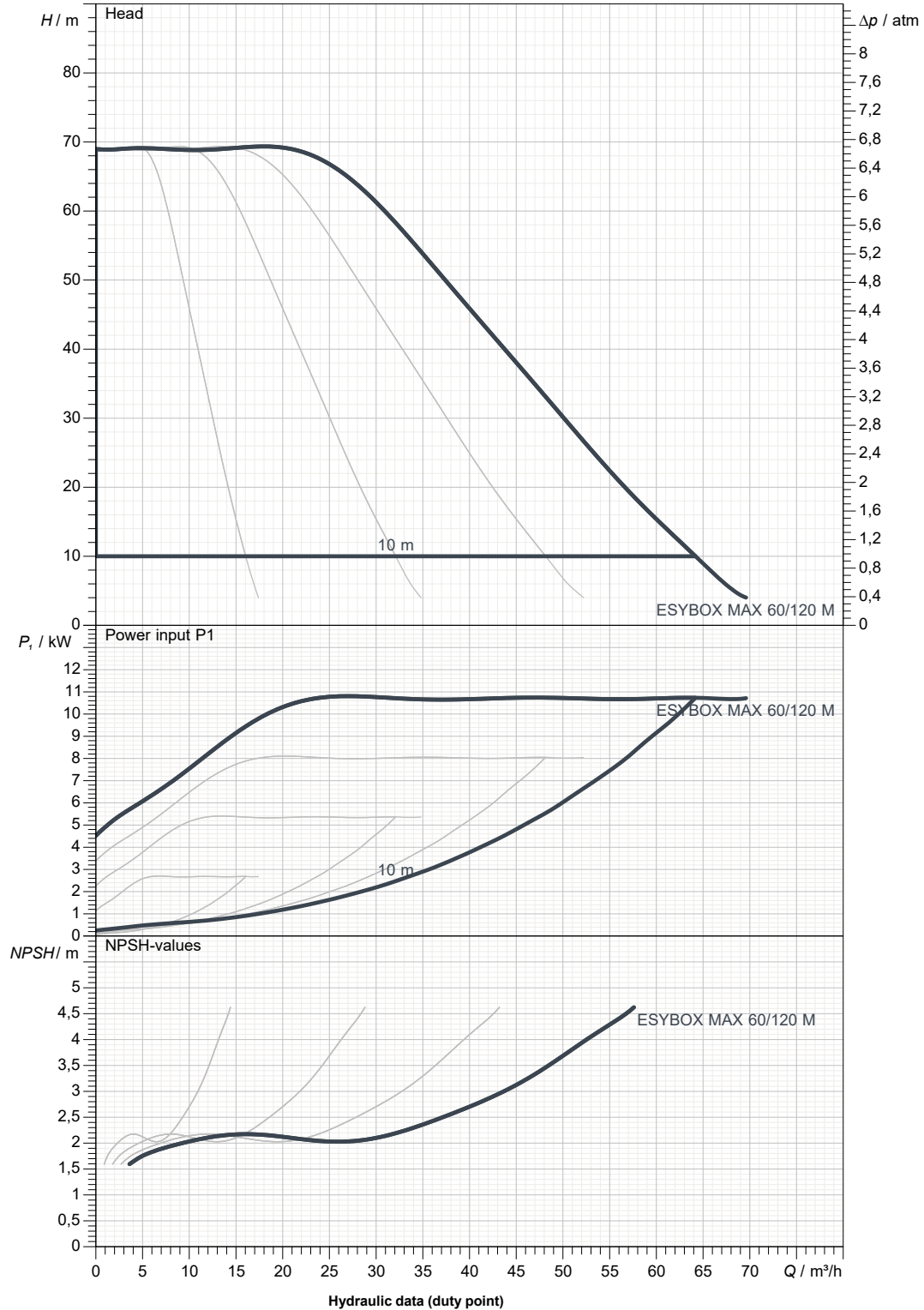
Receiver

From

Society  
Reference  
Address  
Phone  
Fax  
E-mail

## 4 ESYBOX MAX 60/120 M

Curve tolerance according to ISO 9906



Suction side :  
2" G  
11,84 atm

Discharge side :  
2" G  
11,84 atm

Flow :

Head :

Rated speed :  
5.240 1/min

MAIN\_PROJECT\_TITLE

BUSINESS\_PROCESS\_ID

OWNER\_

ISSUE\_DATE  
2022-10-10



# DIMENSIONAL DRAWING

2022-10-10

Page 4 / 4

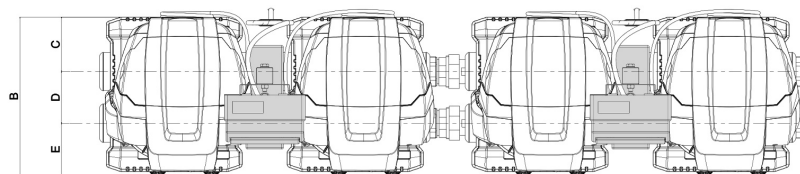
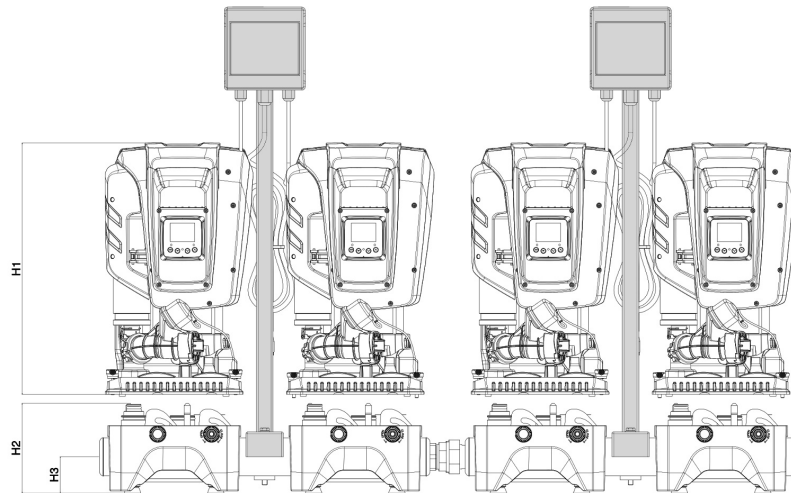
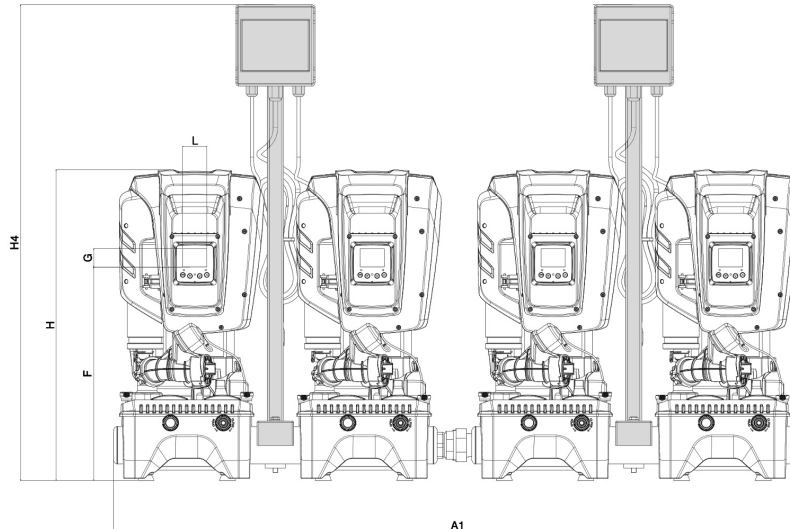
DAB PUMPS S.p.A.  
Via Marco Polo, 14 - 35035 Mestrino (PD), Italy  
Tel. +39 049 5125000 - Fax +39 049 5125950  
www.dabpumps.com

Receiver

From

Society  
Reference  
Address  
Phone  
Fax  
E-mail

## 4 ESYBOX MAX 60/120 M



\*Without the pillar kit and panel, do not consider the H4

Dimensions in mm					Pump connection	
1	A1	1.692	H3	87	Suction 2" G 12 bar (1200 KPa)  Discharge 2" G 12 bar (1200 KPa)	
2	B	384	H4	1.172		
3	C	131,8	L	59,5		
4	D	124,5				
5	DNA	2"				
6	DNM	2"				
7	E	127,7				
8	F	526				
9	G	45				
10	H	766				
11	H1	613				
12	H2	228				

MAIN_PROJECT_TITLE	BUSINESS_PROCESS_ID	OWNER	ISSUE_DATE 2022-10-10
--------------------	---------------------	-------	--------------------------